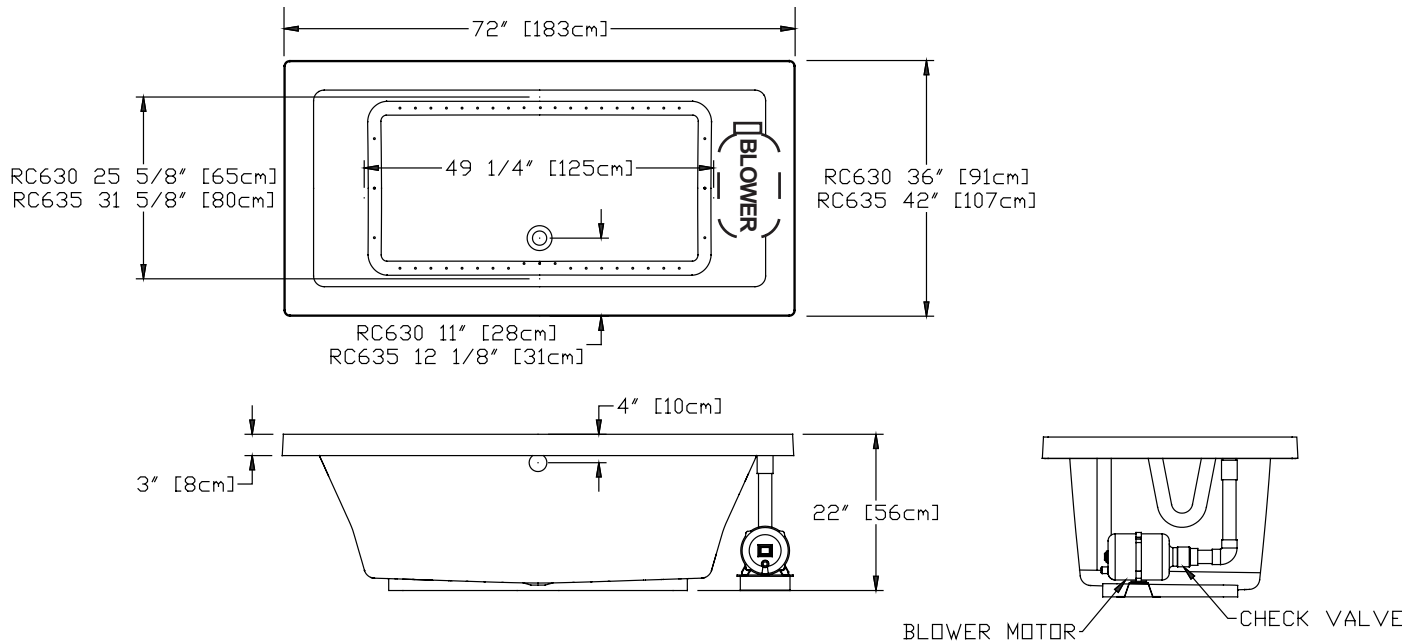


SPECIFICATIONS RC630 & RC635 AirMasseur™ & Soaking Bath



NOTE: To accommodate customer preferences, the Control Console and SANI-DESIGN™ Cleaning Cap Assembly are **not** factory installed on the bath deck. An installation kit for the SANI-DESIGN™ Cleaning Cap, and a 6 ft. cable with installation instructions for connecting the Control Console to the control box are provided with all baths.

Patents received or pending.

Note: Dimensional Tolerances: ±1/4"

	RC630	RC635
Drop-in-Hole Size:	34" x 70"	40" x 70"
Operating Capacity:	50 gal	65 gal
Overflow Capacity:	79 gal	101 gal
Floor Loading / sq.ft.:	48.7 lbs	49.7 lbs
Cartoned Wt: AirMasseur	135 lbs	144 lbs
Cartoned Wt: Soaker	98 lbs	101 lbs
Cube:	39.8 cu.ft.	46.0 cu.ft.

Construction: Fiberglass reinforced acrylic bath with LevelForm™ full support base.

Blower Motor: 1 Hp, Vari-Speed, 120V, 60Hz, 15A, with integral air heater.

Underwater Light: Front access, 12V

Control: Pre-wired to the pump with 24" cord and plug end. *Note: CUL models are with Junction box*

We provide products listed with Underwriters Laboratories, Inc. (UL), International Association of Plumbing and Mechanical Officials (IAPMO), and Canadian Underwriters Laboratory (CUL). Consult factory with your listing requirements.

JASON INTERNATIONAL, INC.

8328 MacArthur Drive • North Little Rock, AR 72118 • www.jasoninternational.com
501-771-4477 • Fax: 501-771-2333 • Cust. Svc.: 800-255-5766