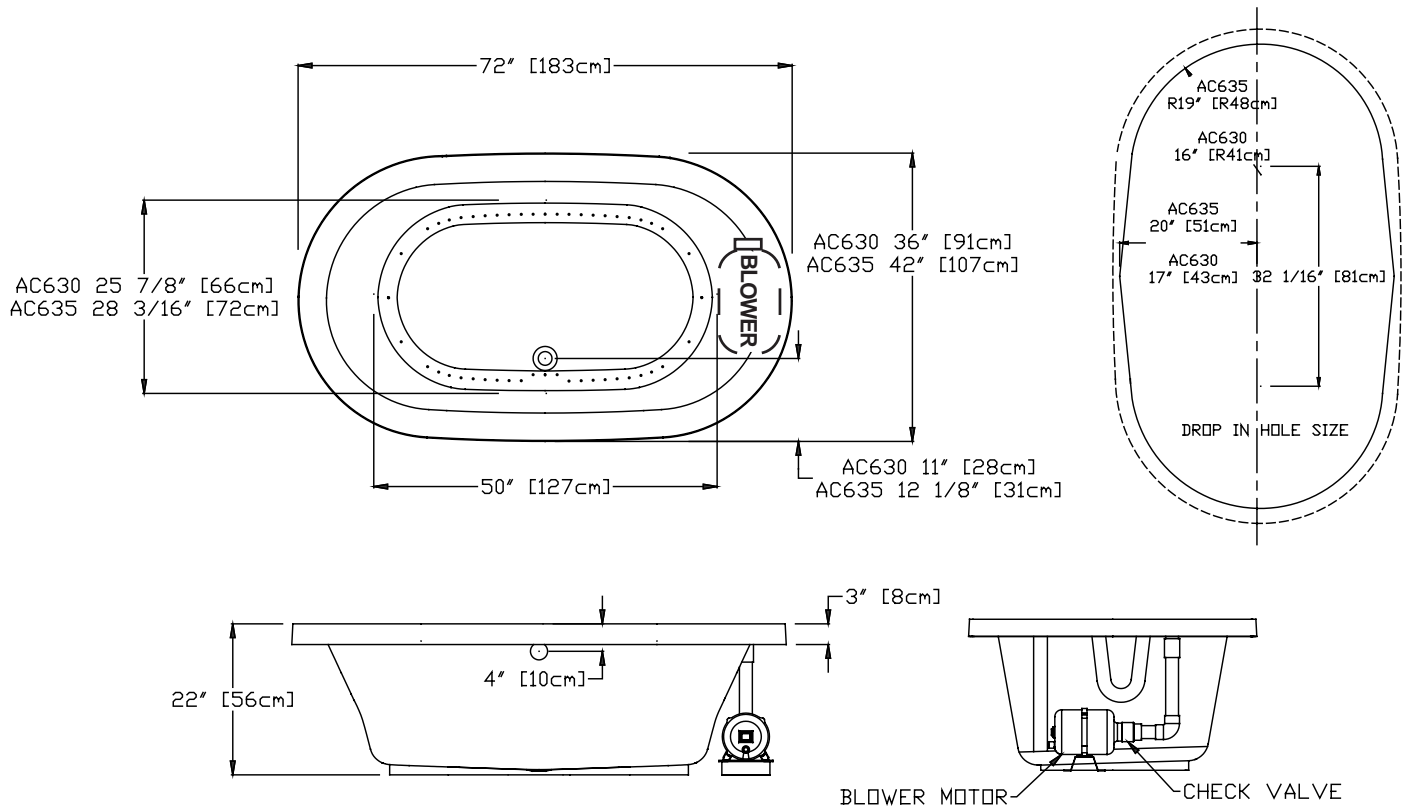


SPECIFICATIONS AC630 & AC635 AirMasseur™ & Soaking Bath



NOTE: To accommodate customer preferences, the Control Console and SANI-DESIGN™ Cleaning Cap Assembly are **not** factory installed on the bath deck. An installation kit for the SANI-DESIGN™ Cleaning Cap, and a 6 ft. cable with installation instructions for connecting the Control Console to the control box are provided with all baths.

Patents received or pending.

Note: Dimensional Tolerances: ±1/4"

	AC630	AC635
Drop-in-Hole Size:	SEE DIAGRAM	
Operating Capacity:	49 gal	56 gal
Overflow Capacity:	75 gal	88 gal
Floor Loading / sq.ft.:	52.6 lbs	49.3 lbs
Cartoned Wt: AirMasseur	130 lbs	137 lbs
Cartoned Wt: Soaker	113 lbs	120 lbs
Cube:	39.8 cu.ft.	46.0 cu.ft.

- Construction:** Fiberglass reinforced acrylic bath with LevelForm™ full support base.
- Blower Motor:** 1 Hp, Vari-Speed, 120V, 60Hz, 15A, with integral air heater.
- Underwater Light:** Front access, 12V
- Control:** Pre-wired to the pump with 24" cord and plug end. *Note: CUL models are with Junction box*

We provide products listed with Underwriters Laboratories, Inc. (UL), International Association of Plumbing and Mechanical Officials (IAPMO), and Canadian Underwriters Laboratory (CUL). Consult factory with your listing requirements.

JASON INTERNATIONAL, INC.

8328 MacArthur Drive • North Little Rock, AR 72118 • www.jasoninternational.com
501-771-4477 • Fax: 501-771-2333 • Cust. Svc.: 800-255-5766